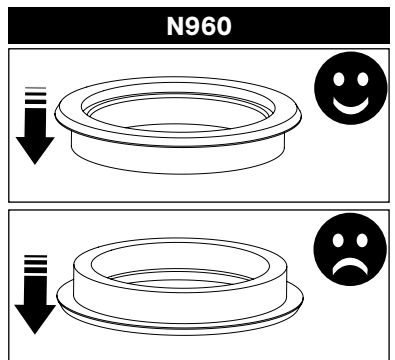
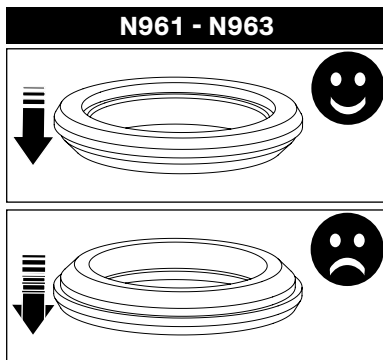
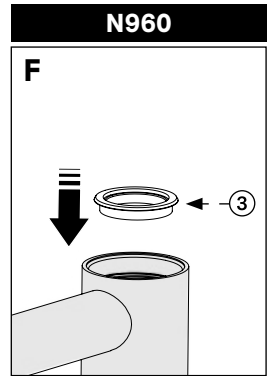
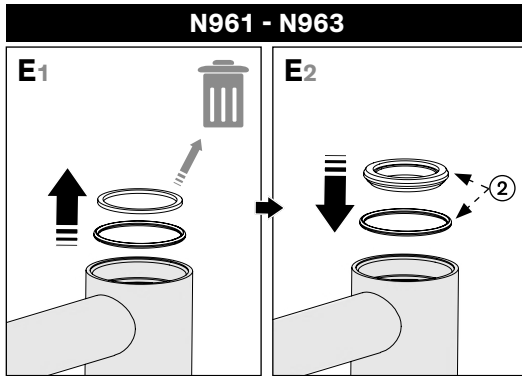
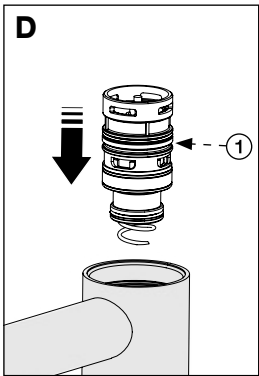
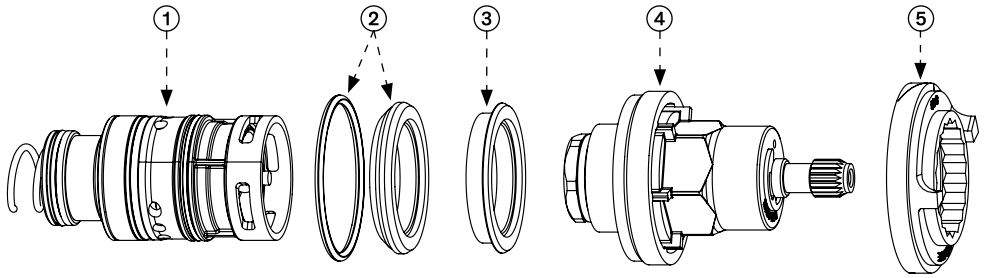
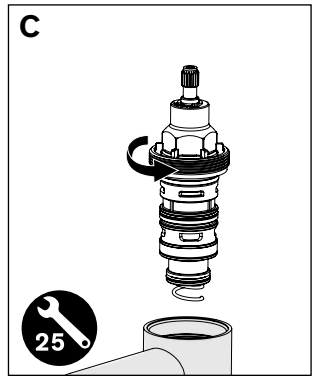
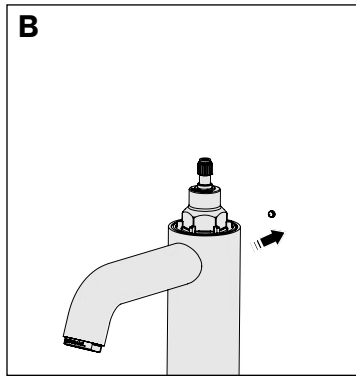
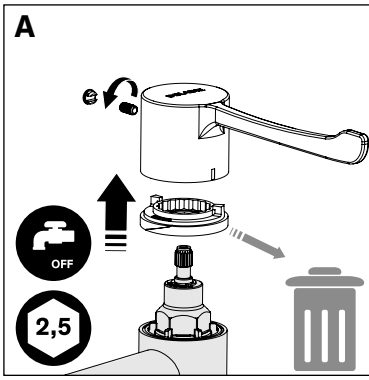


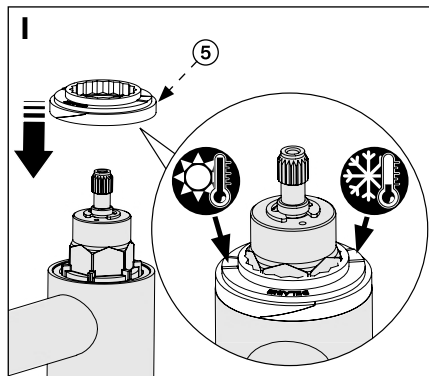
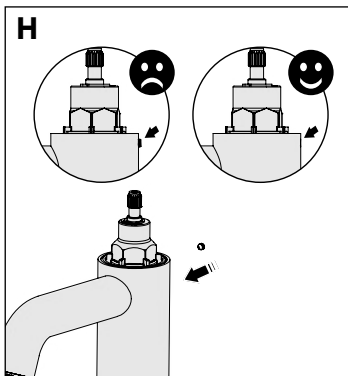
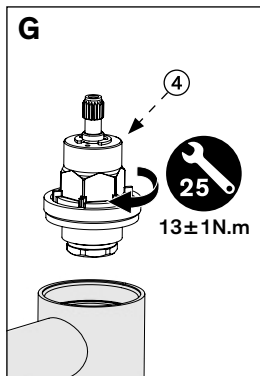
**DELABIE**

**N960 - N961 - N963**

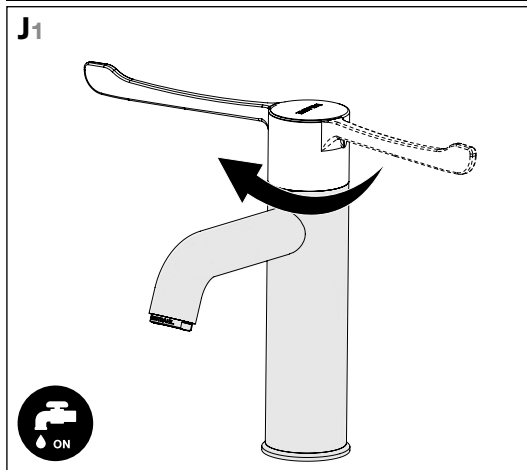
**NT N960**  
Indice B



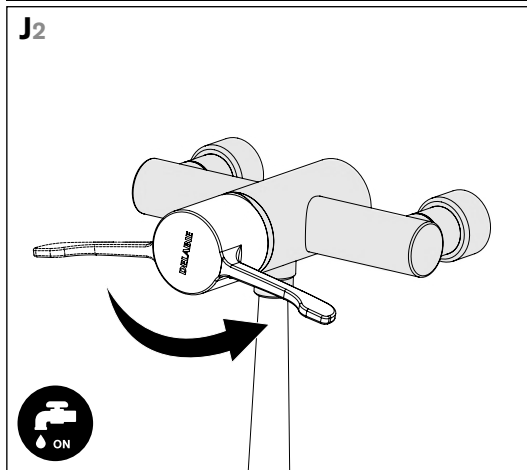




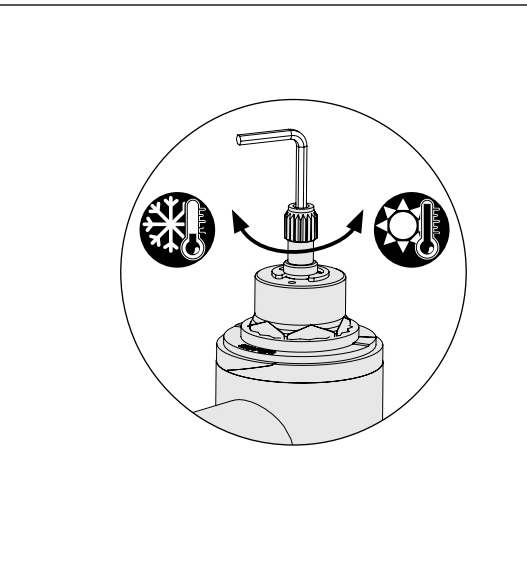
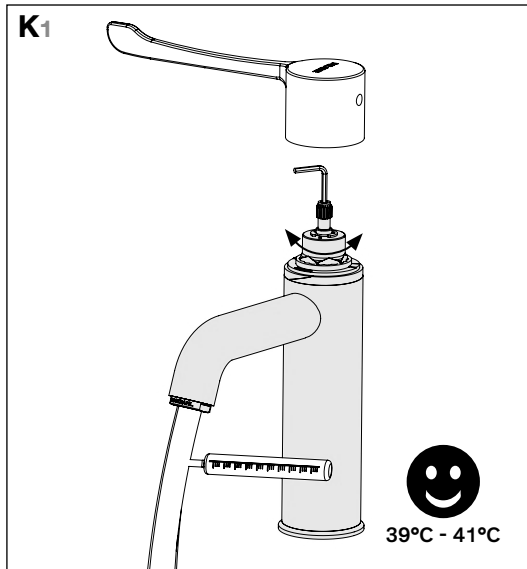
**N960 - N961**



**N963**

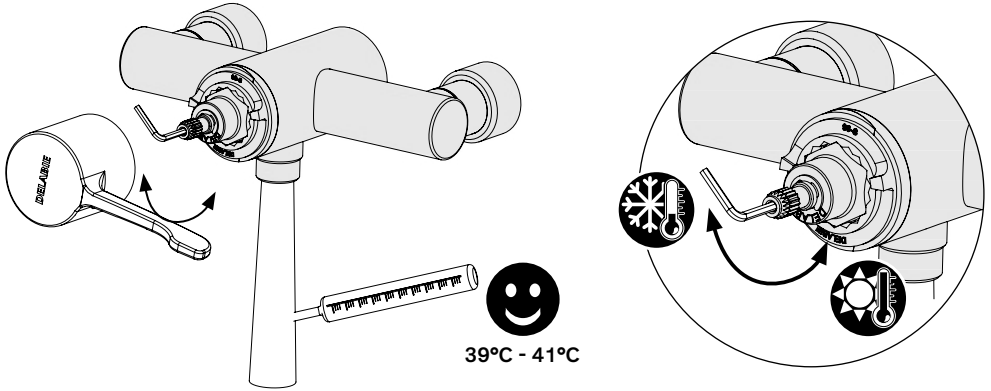


**N960 - N961**



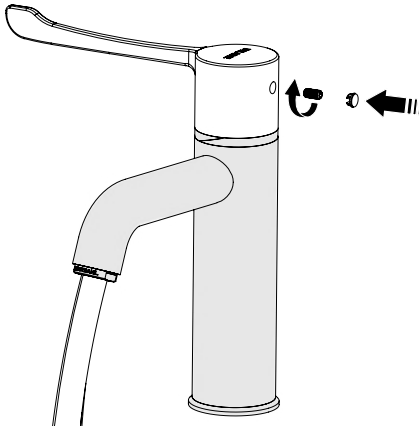
# N963

K2

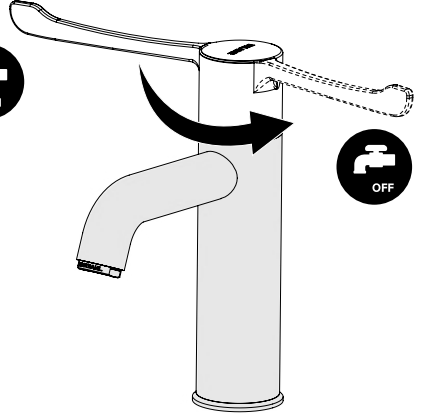


# N960 - N961

L1

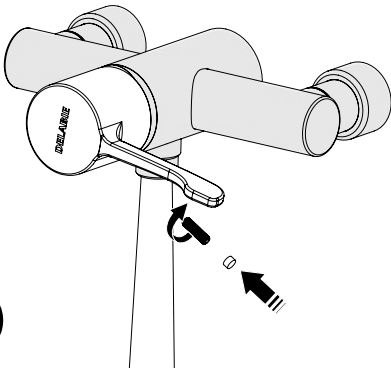


L2



# N963

M1



M2

